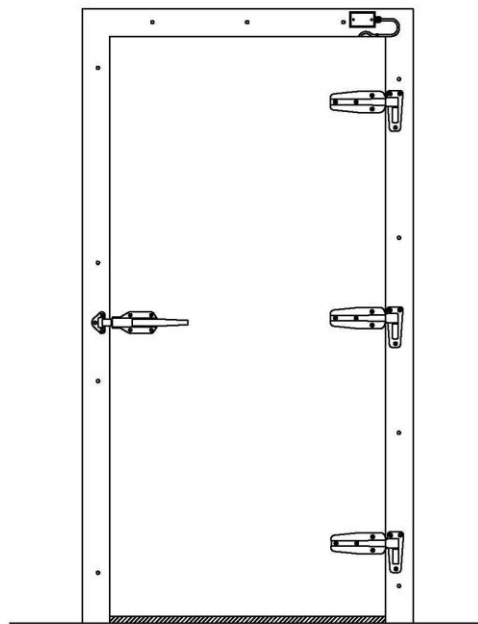




Installation Manual Hinged Infitting Cold Storage Doors



Model HIS Shown

For Model :
HIS – Hinged Infitting Single
HID – Hinged Infitting Double

Revised: 10 October 2022

IMPORTANT!

THIS DOOR ASSEMBLY HAS BEEN CUSTOM DESIGNED AND MANUFACTURED FOR THIS OPENING. REVIEW INSTALLATION INSTRUCTIONS THOROUGHLY ***BEFORE*** INSTALLING DOOR UNIT.

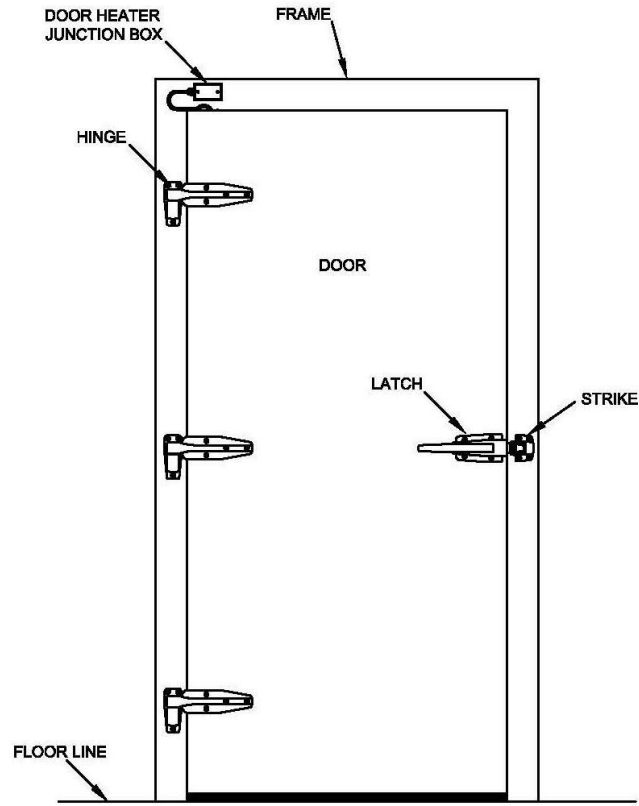
**DO NOT ATTEMPT TO
ALTER, CUT, MODIFY, REMOVE,
DIS-ASSEMBLE AND RE-ASSEMBLE
OR RE-MANUFACTURE
ANY COMPONENT
FROM IT'S ORIGINAL FACTORY CONDITION!**

***ANY* MODIFICATION TO THIS DOOR ASSEMBLY
WILL VOID THE WARRANTY IN IT'S ENTIRETY!**

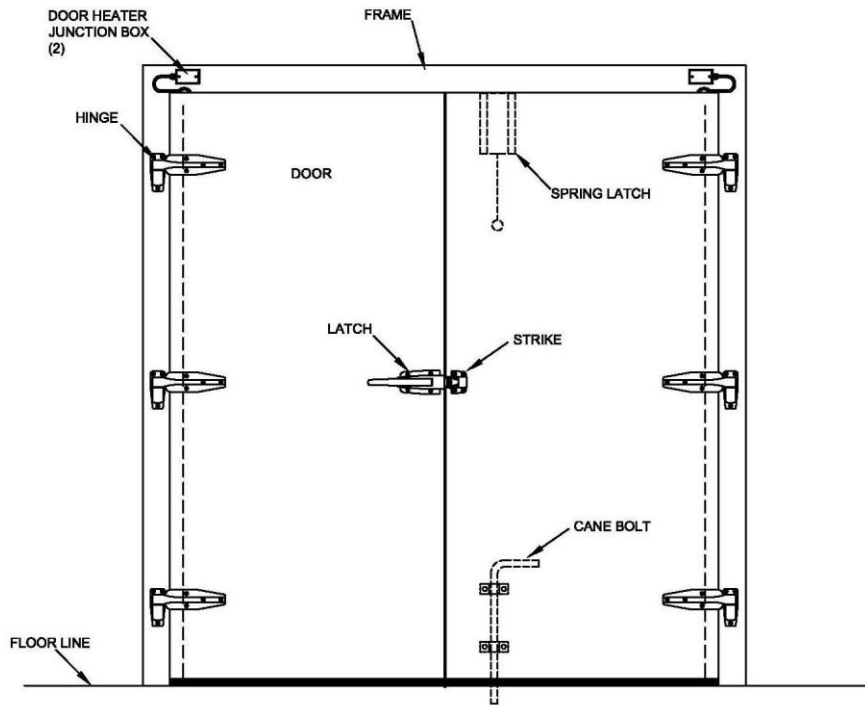
Table of Contents

INTRODUCTION	1
GENERAL ARRANGEMENT	2
SECTION 1	
FRAME INSTALLATION	3
SECTION 2	
DOOR SEALS	4
SECTION 3	
HEATING CABLES	5

Model HIS



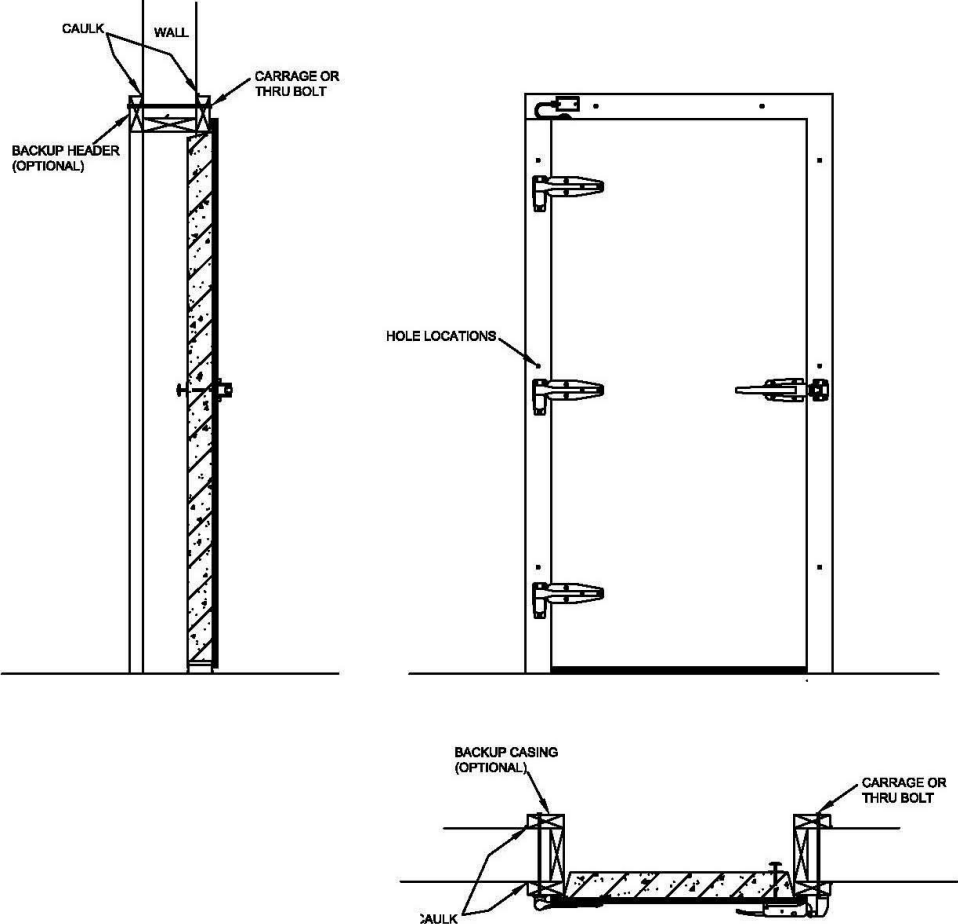
Model HID



FRAME INSTALLATION

This Section will discuss how to properly install the Door Frame

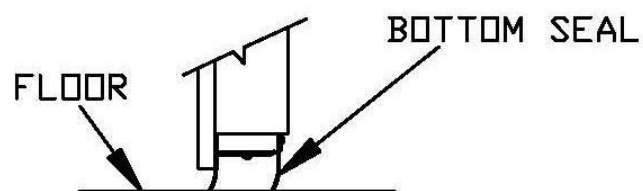
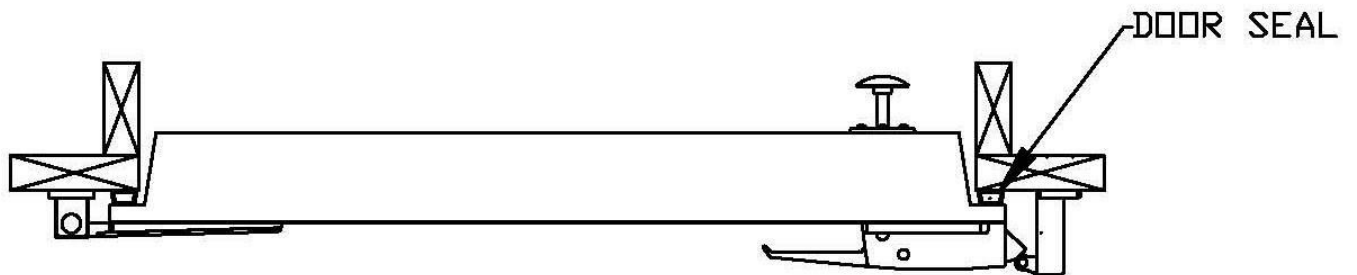
The frame must be installed plumb and on a horizontal plane. If the floor slopes, start by setting the frame on the high side first. Shim to raise the other side so that the top of the frame is level. If wall is not plumb, shim the frame. Proper installation depends on the frame being level and plumb. Drill 3/8" holes where shown and secure in place with carriage or thru bolts and washers. Use caulking around frame to provide vapour between wall and frame.



DOOR SEAL

This Section will discuss the door seals

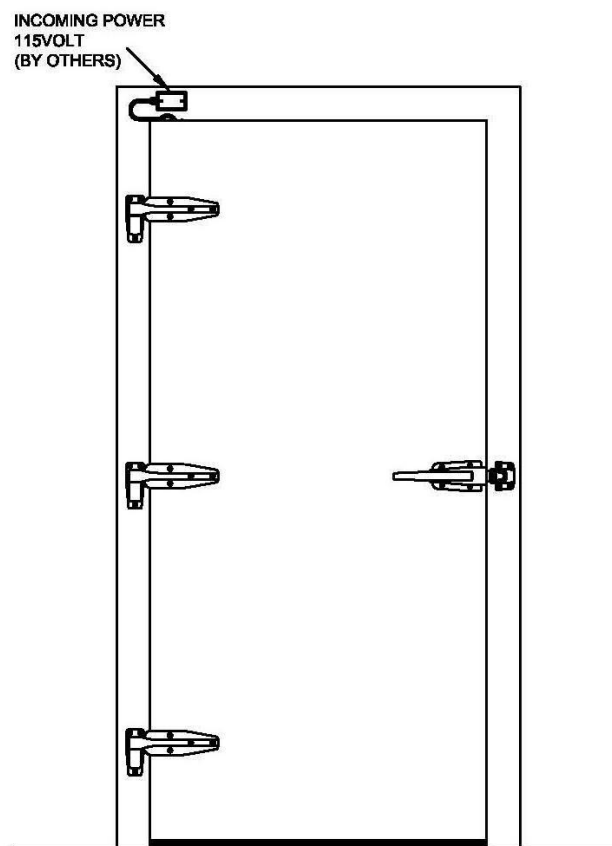
The door seals should make contact with frame and the bottom seal should contact floor with a slight crush or bend to bottom seal. A periodical check of your cold storage door seals should be done. Seals should be replaced when needed.



HEATING CABLES

This Section will discuss the electrical wiring of the freezer door heating cables.

The heating cables are only installed on freezer doors, this is to provide a thermal barrier between the door panel and the seals. Insert electrical cables on door(s) into junction box on header see illustration below. Match wires black with black, white with white and green with green. Secure with wire nuts located inside the junction box.





 CROWNTONKA®  ICS™  LOTEMP DOORS™  PREPRITE®  THERMALRITE®

Proud to be family-owned.