



A SINGLE SOURCE

for all your walk-in parts and accessories



Same day shipping for most parts' orders received by 12 noon E.S.T.



Central Kitchens



Foodservice



Sporting Venues

Toll free parts' order Line 888-558-6652 or email parts@thermalrite.com
www.thermalrite.com

A SINGLE SOURCE

for all your walk-in parts and accessories

REPLACEMENT PARTS

- Comprehensive range of parts and accessories, including hardware, thresholds, kickplates, thermometers and vents
- Large stock inventory for quick ship
- Easily retro-fitted to update existing walk-ins

SMART DEFROST SYSTEM

- "Intelligent" system bypasses unnecessary defrosts
- Reduction of up to 40% in the number of defrosts required
- Improved energy efficiency for lower running costs and reduced environmental impact
- Helps maintain stable and uniform walk-in temperatures

STRIP CURTAINS

- Proven and effective means of limiting warm air infiltration into walk-ins
- Significant reduction in refrigeration load
- Energy savings of up to 11%

COMPACT FLUORESCENT LIGHTING

- Consumes up to 75% less energy than a 100W incandescent bulb
- Compliant with the 2009 Federal Regulations for walk-ins
- Lasts up to 10 times longer than a 100W incandescent bulb
- 26W fluorescent lighting meets Energy Act requirements of 40 lumens per Watt

LED LIGHTS

- Long life cycle – over 50,000 hours more than alternative illumination systems
- Lower energy costs
- Reduced heat emissions
- Low voltage operation for inherent safety
- Significantly reduced maintenance costs

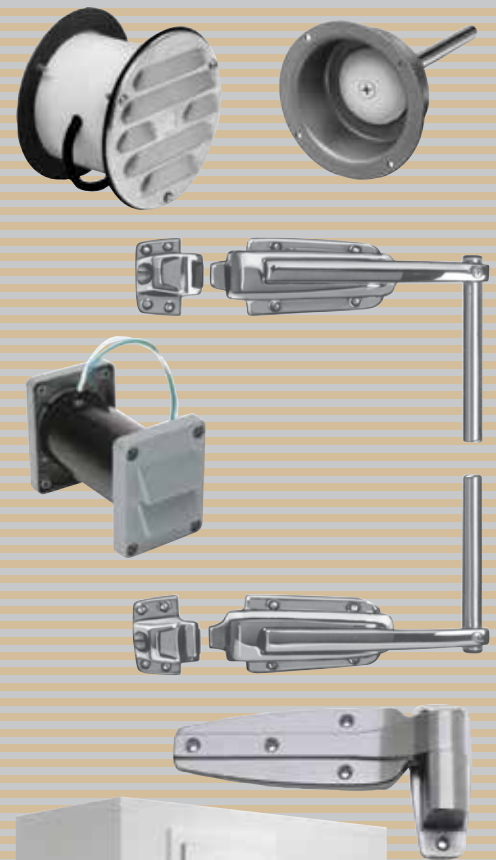
REPLACEMENT DOORS FOR ANY WALK-IN

- Rugged, insulated urethane construction
- New and re-sized frames available for many applications
- Standard features include heavy duty cam lift hinges and internal safety release handle
- Heaters, kickplates and viewports available as options

SLIDING DOORS

- Single slide, bi-parting and overhead doors
- Robust and durable for high traffic applications
- Heavy duty hardware, as standard
- Positive door seal helps maintain walk-in temperature
- Manual or electric operation available
- Heated door jamb

EISA Compliant.



Replacement Doors



Sliding Doors



Cold Storage Solutions™



CALIFORNIA • KANSAS • MINNESOTA
MISSISSIPPI • TENNESSEE • VIRGINIA
Toll Free: 888-833-3329 • Fax: 763-541-1563
Email: sales@thermalrite.com • Website: www.thermalrite.com

