



REPLACEMENT DOOR AND FRAME CATALOG



15600 37th Ave N, Suite 100
PLYMOUTH, MN 55446
DOOR REPLACEMENT (888)766-6608
MAIN PHONE (763) 541-1410
FAX (763)-541-1563

www.Everidge.com

DOOR AND FRAME CATALOG

TABLE OF CONTENTS

PAGE

3-4 - Terminology, specifications and ordering information

5 – Pricing, consult with factory

6 - Before and after replacement doors.

7 - "L" shaped frame without floor (with optional back-up frame).

8 - "L" shaped frame with floor (with optional back-up frame).

9 - Flat-face frame without floor (with optional back-up frame).

10 - Face frame with floor (with optional back-up frame).

11 - Face frame without floor to replace flush mount door (with optional back-up frame).

12 - Face frame with floor to replace flush mount door (with optional back-up frame).

13 - Reach-in "L" shaped frame (with optional back-up frame).

14 - Reach-in face frame (with optional back-up frame).

15 - Door only, built for without floor.

16 - Door only, built for with floor.

TERMINOLOGY, SPECIFICATIONS AND ORDERING INFORMATION

Without floor - The floor inside of the walk-in is flush with floor on exterior of door. This door will have a sweep gasket at the bottom.

With floor - The panelized floor on the interior of the walk-in is higher than the exterior floor. This door would normally seat to the top front edge of the floor section (no sweep gasket). If you have an interior or exterior ramp on your floor, we need to know that information.

Frame – The part of the entire door assembly to which the door leaf is attached. Rough Opening - The opening that will accept the "L" shaped door assembly. The opening is normally 4" wider and 2" higher than the exterior of the frame to allow for shimming.

Finished opening – The net clear opening that the door pan fits into.

Overlap walk-in door – Part of the door itself fits into the opening, but the exterior lip of the door extends beyond the opening and protrudes out from the exterior face of the door frame about 1 ½ inches.

Overlap reach-in door – Small door to gain access to product on shelving inside your walk-in cooler or freezer.

Flush mount door – The same door as the above door, but the exterior face of the door is flush with the exterior of the door frame. Please consult factory for ordering details at 888-766-6608 (see pages 7 and 8).

"L"-shaped frame – See examples on pages 3, 4 and 9. This frame is our most common. It is ideal if your existing door jamb is damaged or warped. You can also enlarge an existing door opening or add a new opening in existing walls. The frame is covered with metal to match the new door. Fasteners and sealants to install frame are not included.

Face Frame – See examples on pages 5, 6 and 10. This frame fits flat on the face of your existing door wall. It can help cover damaged door casings or add heated frame to existing walk-in. It also works well to replace an old flush mount door and frame (pages 7 and 8). Fasteners and sealant to install frame are not included.

Back-up frames – An option to add to our "L" shaped frame or face frame applications. If the existing wall does not have wood to attach your frame to, the back-up frame allows you to bolt all the way through the wall and both frames to create a sandwich frame assembly. See examples of optional back-up frames on the drawings. The bolts or nylon threaded rod for the above are not provided by CrownTonka.

Custom frames – Please contact our door expert for more information at 888-766-6608.

Door Gasket – Seals the perimeter edges of door. Magnetic gasket is our standard. Sponge rubber gasket is also available.

Sweep gasket – Used on the door bottom to seal the door to concrete floor or to a ramp on your existing raised insulated floor.

Hinges – May vary by size and types of doors. All doors will have a minimum of two (2) cam-lift hinges. Doors 48” and less in width have polished chrome finish and larger doors will have zinc coated hinges. The hinge side of the door is identified by facing the exterior side of the door and deciding if your hinges are on the right or left side.

Latches – Standard latch is polished chrome finish and has a positive latching strike that requires a plunger type inside safety release handle to open the door from the inside of your box. There are other types of hardware available for special applications. Please contact us for further details.

Heated jamb and threshold – The heat wire assembly that runs around the perimeter of the door frame and across the floor to stop frost from forming around the door. A threshold covers the heater on the floor. As an option, a heated door bottom is also available.

Standard metal finishes in stock

- Bright embossed galvanized steel
- Embossed aluminum
- Stainless Steel
- Embossed white steel
- Embossed black steel
- Other: Contact us for special finishes

Kickplates – Diamond tread brite plates attached to the lower part of the door on the interior and exterior to protect the door from damage. Standard height is normally 36”.

Steps for ordering your door frame and/or door

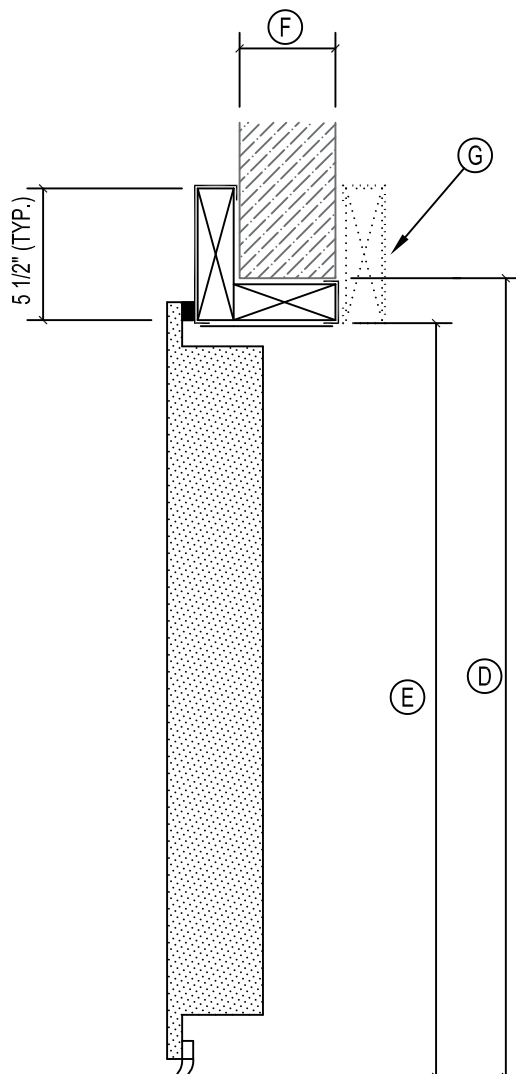
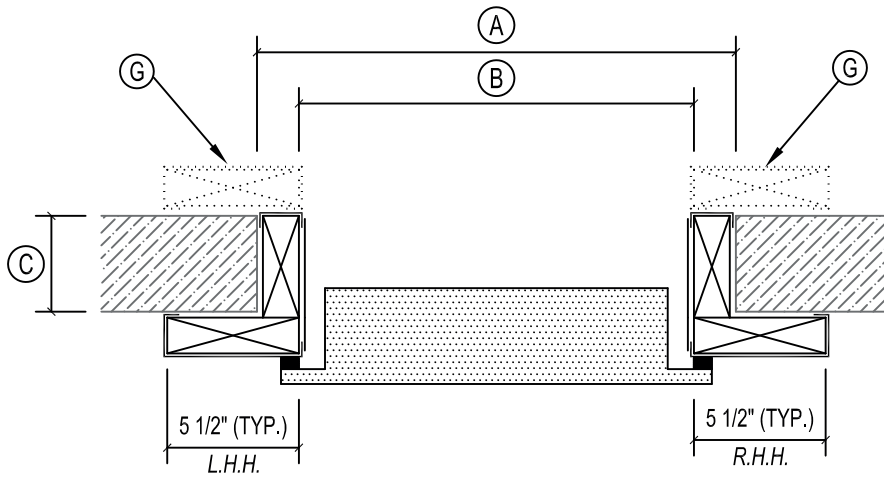
1. Determine which drawing best fits your application.
2. Make a copy of that drawing and fill out the requested information. Remember, accurate dimensions are critical. Please call our toll free hotline at 888-766-6608 if you need further assistance.
3. Fax your quote request or order form to us at 763-541-1563. Include your contact information and we will confirm pricing and approximate lead time for shipping.
4. Normal lead time is 10 to 15 working days. All freight is FOB. Freight costs will be added to your invoice.

**Please Note: Customer is responsible for verifying all dimensions before ordering door.

PRICE LIST

For doors and frames pricing,
please consult with factory

DOOR REPLACEMENT (888)766-6608
MAIN PHONE (763) 541-1410
FAX (763)-541-1563



Ⓐ _____
ROUGH OPENING = (F.O. + 3 1/2")

Ⓑ _____
FINISHED OPENING WIDTH

Ⓒ _____
EXISTING WALL THICKNESS

Ⓓ _____
ROUGH OPENING = (F.O. + 1 3/4")

Ⓔ _____
FINISHED OPENING HEIGHT

Ⓕ _____
EXISTING WALL THICKNESS

DOOR PANEL FINISH

INT. _____

EXT. _____

KICKPLATES

INT. _____

EXT. _____

DOOR HINGE

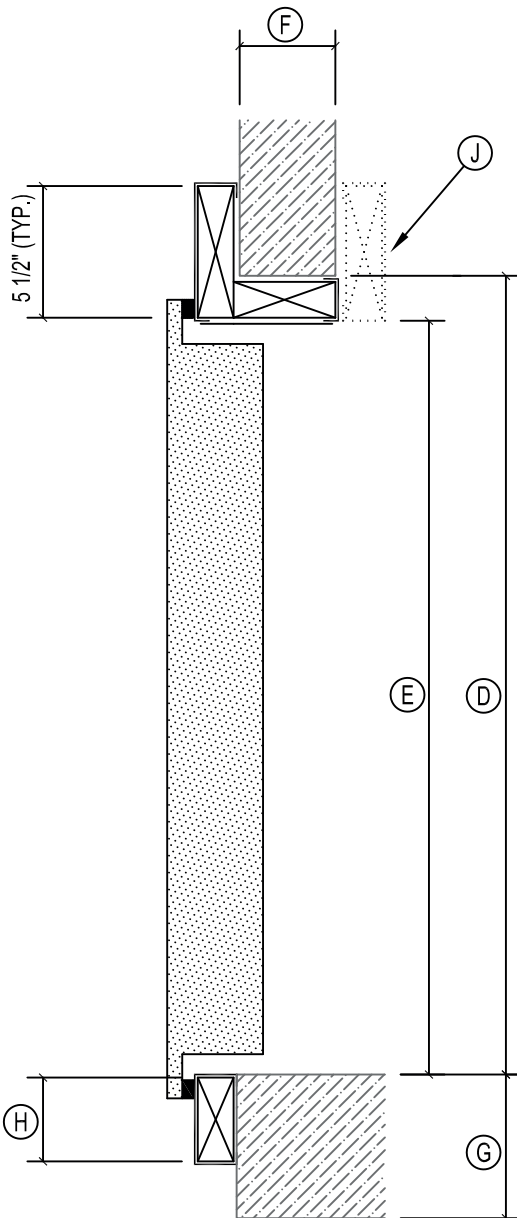
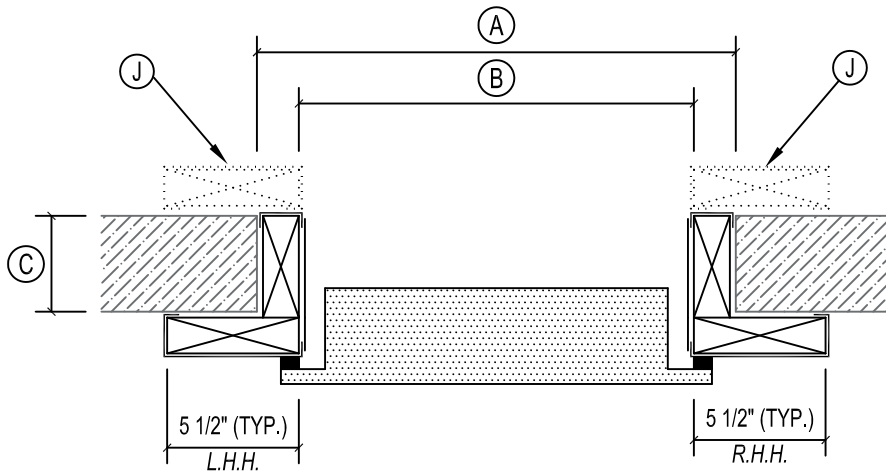
LEFT RIGHT

HEATED JAMB AND THRESHOLD

YES NO

Ⓖ **BACK UP FRAME - (OPTIONAL)**

YES NO



Ⓐ _____
ROUGH OPENING = (F.O. + 3 1/2")

Ⓑ _____
FINISHED OPENING WIDTH

Ⓒ _____
EXISTING WALL THICKNESS

Ⓓ _____
ROUGH OPENING = (F.O. + 3 3/4")

Ⓔ _____
FINISHED OPENING HEIGHT

Ⓕ _____
EXISTING WALL THICKNESS

Ⓖ _____
EXISTING FLOOR THICKNESS

Ⓗ _____
FRAME SILL HEIGHT

DOOR PANEL FINISH

INT. _____

EXT. _____

KICKPLATES

INT. _____

EXT. _____

DOOR HINGE

LEFT RIGHT

HEATED JAMB AND THRESHOLD

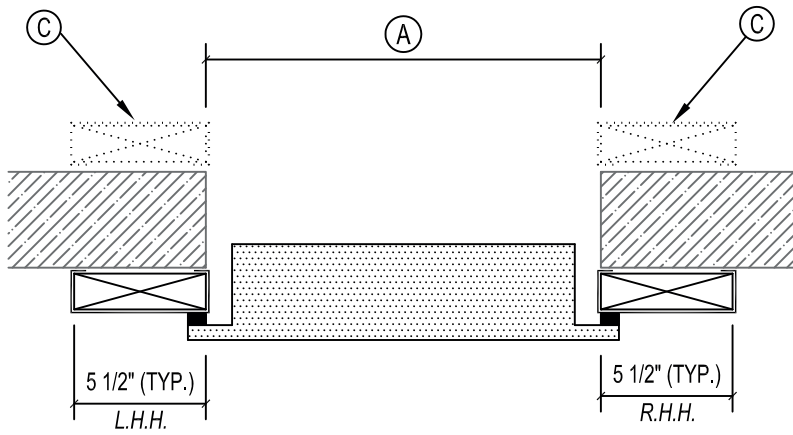
YES NO

Ⓙ **BACK-UP FRAME - (OPTIONAL)**

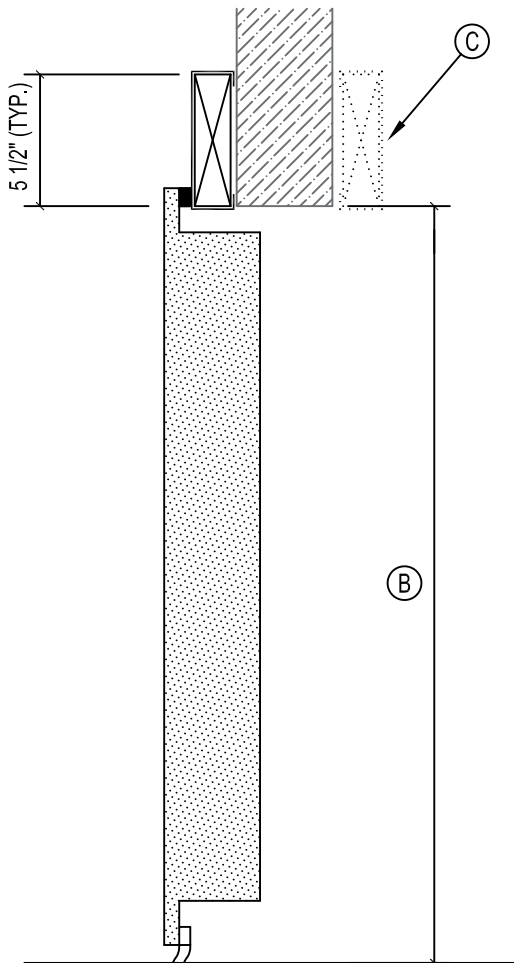
YES NO

RAMP- (OPTIONAL)

INT. EXT.



Ⓐ _____
FINISHED OPENING



Ⓑ _____
FINISHED OPENING

DOOR PANEL FINISH

INT. _____

EXT. _____

KICKPLATES

INT. _____

EXT. _____

DOOR HINGE

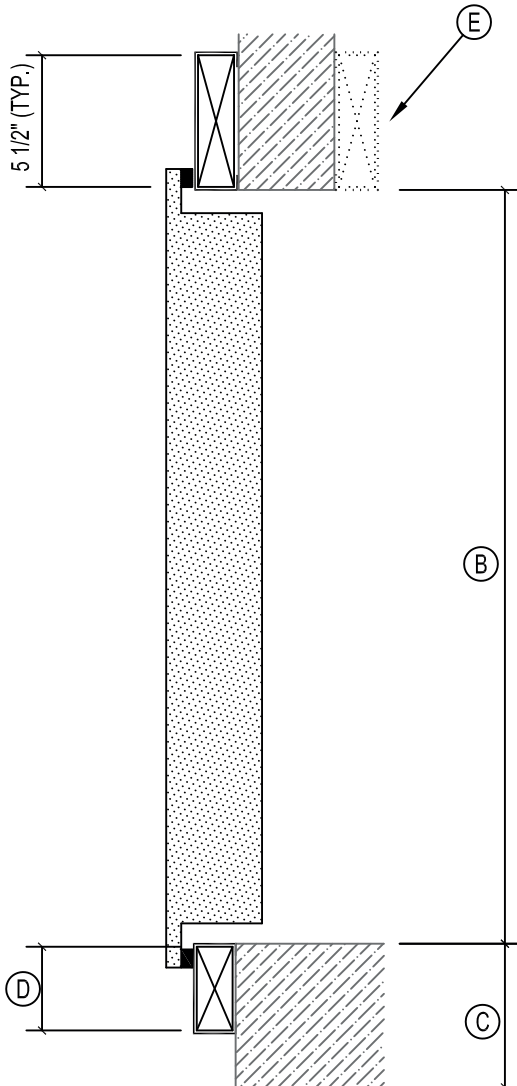
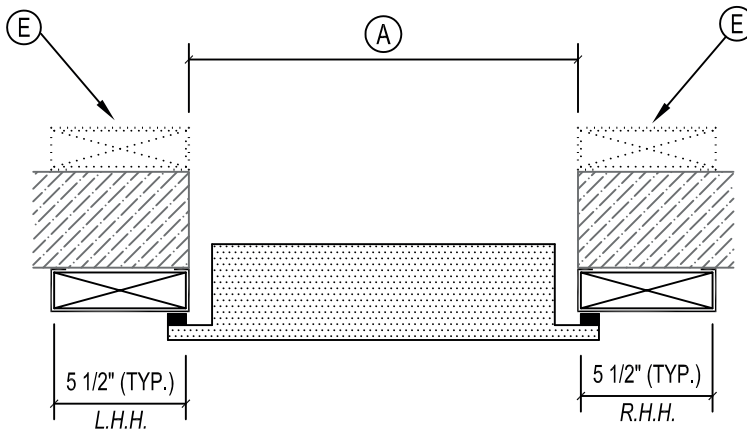
LEFT RIGHT

HEATED JAMB AND THRESHOLD

YES NO

Ⓒ **BACK UP FRAME (OPTIONAL)**

YES NO



(A) _____
FINISHED OPENING WIDTH

(B) _____
FINISHED OPENING HEIGHT

(C) _____
EXISTING FLOOR THICKNESS

(D) _____
FRAME SILL HEIGHT

DOOR PANEL FINISH

INT. _____

EXT. _____

KICKPLATES

INT. _____

EXT. _____

DOOR HINGE

LEFT RIGHT

HEATED JAMB AND THRESHOLD

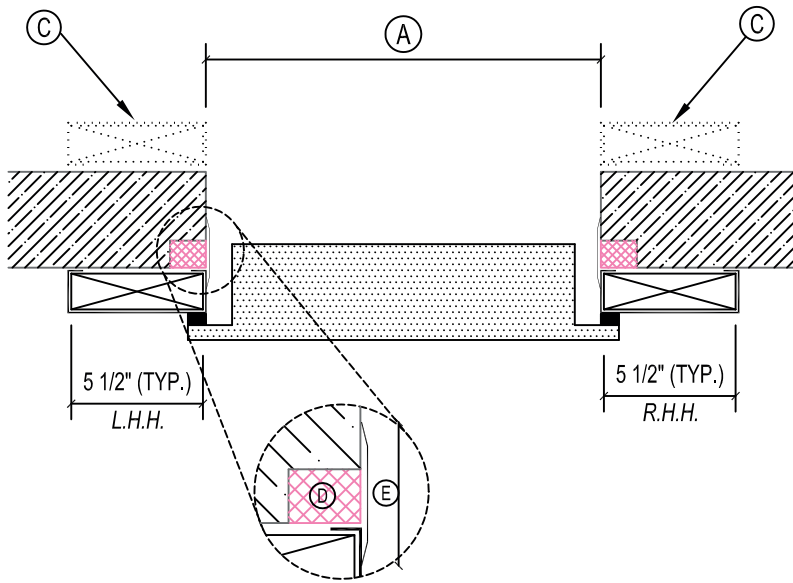
YES NO

(E) **BACK-UP FRAME - (OPTIONAL)**

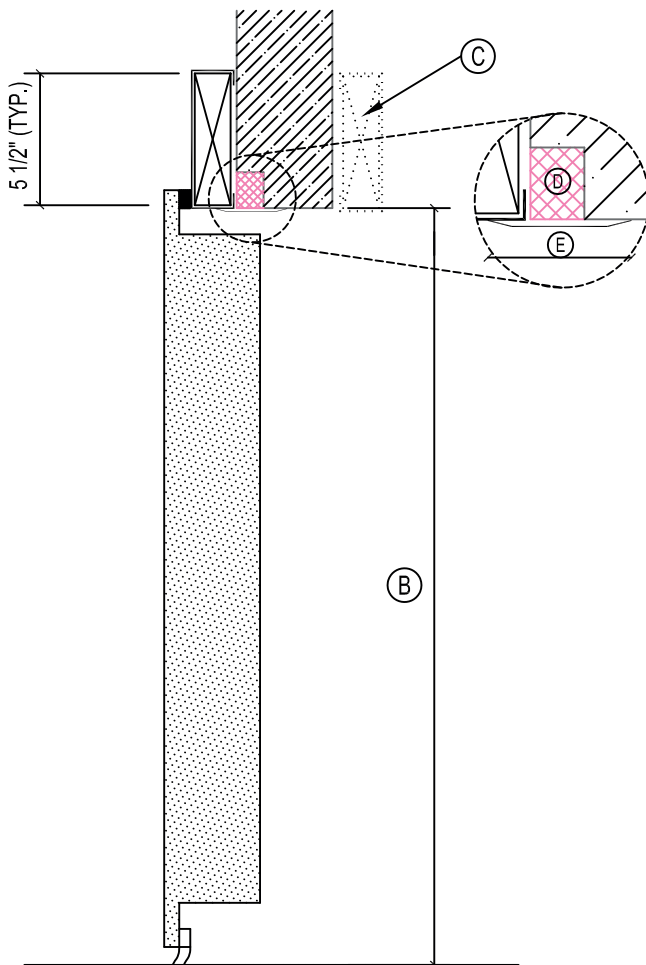
YES NO

RAMP- (OPTIONAL)

INT. EXT.



Ⓐ _____
FINISHED OPENING WIDTH



Ⓑ _____
FINISHED OPENING HEIGHT

DOOR PANEL FINISH

INT. _____

EXT. _____

KICKPLATES

INT. _____

EXT. _____

DOOR HINGE

LEFT RIGHT

HEATED JAMB AND THRESHOLD

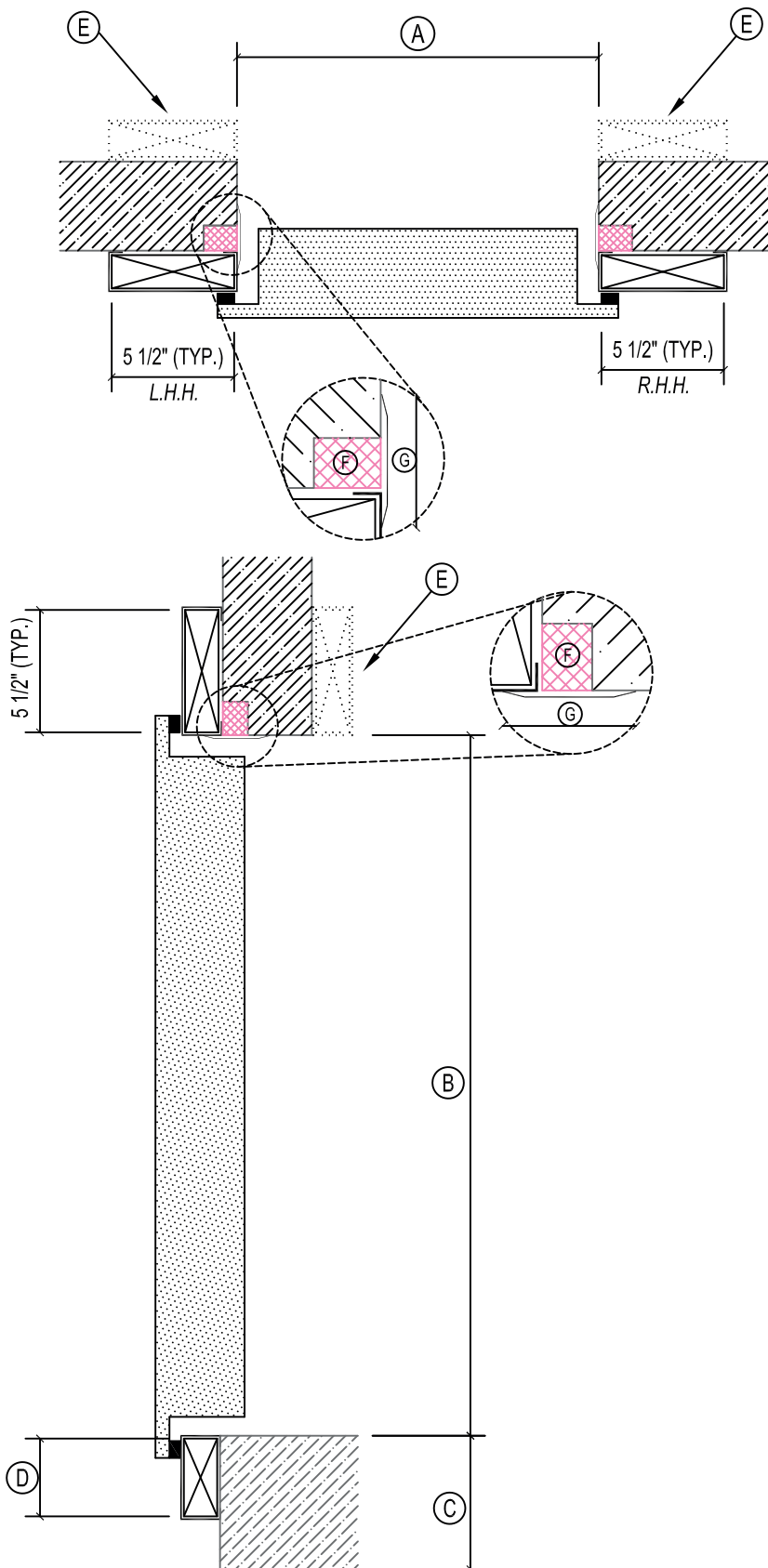
YES NO

Ⓒ **BACK UP FRAME - (OPTIONAL)**

YES NO

Ⓓ **RIGID FOAM INSULATION - (BY OTHERS)**

Ⓔ **FLASHING - (FULL PERIMETER)**



Ⓐ _____
FINISHED OPENING WIDTH

Ⓑ _____
FINISHED OPENING HEIGHT

Ⓒ _____
EXISTING FLOOR THICKNESS

Ⓓ _____
FRAME SILL HEIGHT

DOOR PANEL FINISH

INT. _____

EXT. _____

KICKPLATES

INT. _____

EXT. _____

DOOR HINGE

LEFT RIGHT

HEATED JAMB AND THRESHOLD

YES NO

Ⓔ **BACK-UP FRAME - (OPTIONAL)**

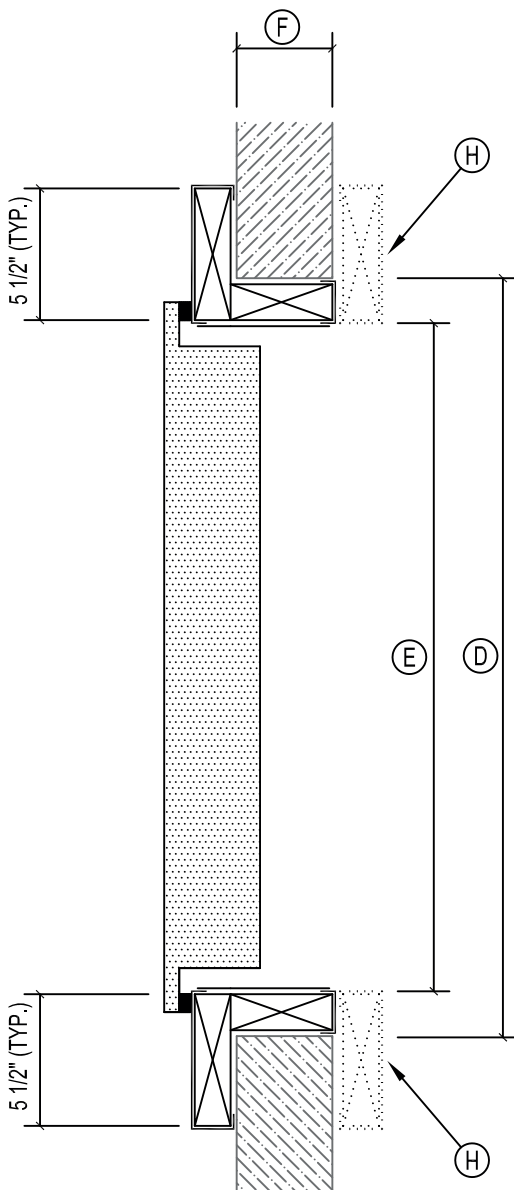
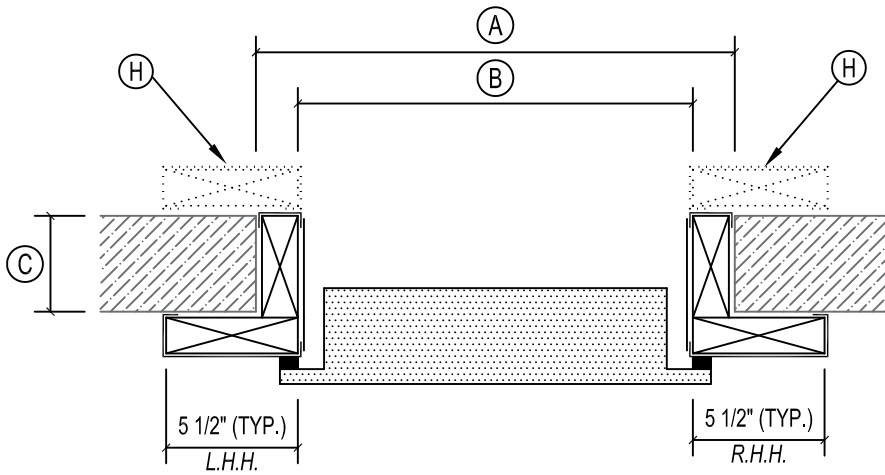
YES NO

RAMP - (OPTIONAL)

INT. EXT.

Ⓕ **RIGID FOAM INSULATION - (BY OTHERS)**

Ⓖ **FLASHING - (FULL PERIMETER)**



Ⓐ _____
ROUGH OPENING = (F.O. + 3 1/2")

Ⓑ _____
FINISHED OPENING WIDTH

Ⓒ _____
EXISTING WALL THICKNESS

Ⓓ _____
ROUGH OPENING = (F.O. + 3 1/2")

Ⓔ _____
FINISHED OPENING HEIGHT

Ⓕ _____
EXISTING WALL THICKNESS

Ⓖ _____
EXISTING WALL THICKNESS

DOOR PANEL FINISH

INT. _____

EXT. _____

KICKPLATES

INT. _____

EXT. _____

DOOR HINGE

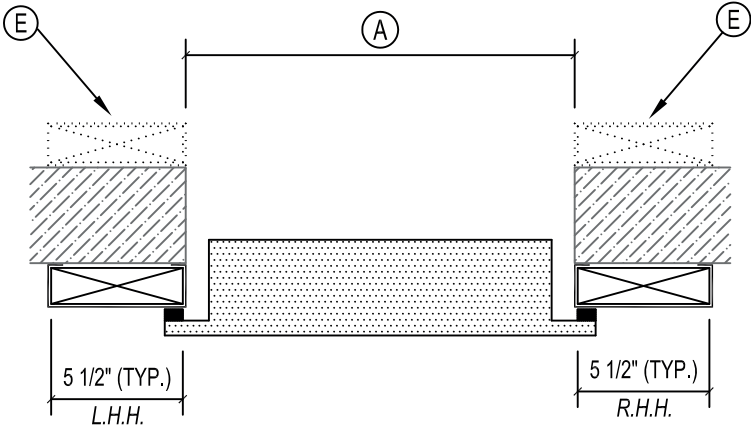
LEFT RIGHT

HEATED JAMB

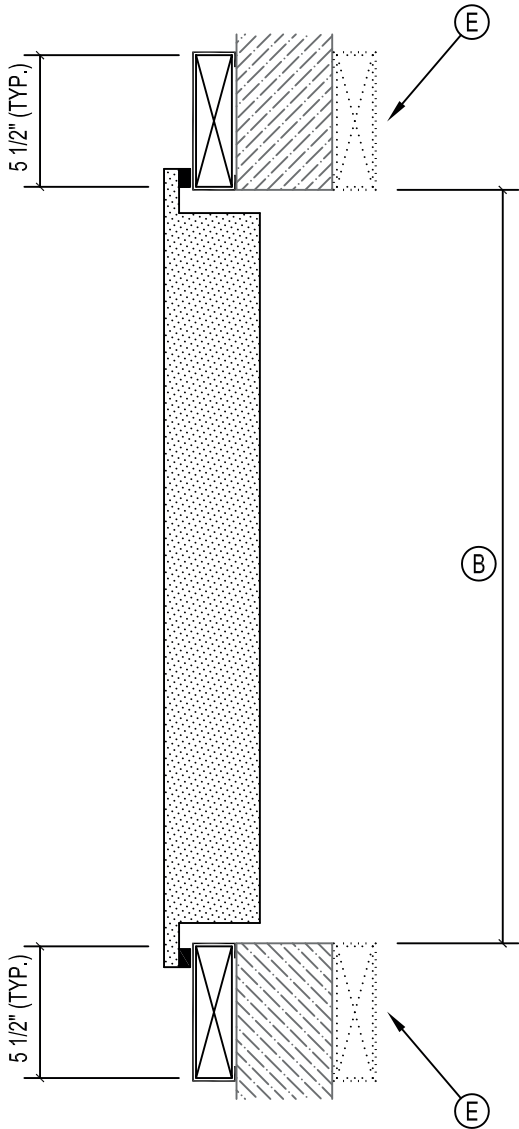
YES NO

Ⓗ **BACK-UP FRAME - (OPTIONAL)**

YES NO



(A) _____
FINISHED OPENING WIDTH



(B) _____
FINISHED OPENING HEIGHT

(C) _____
EXISTING FLOOR THICKNESS

(D) _____
FRAME SILL HEIGHT

DOOR PANEL FINISH

INT. _____

EXT. _____

KICKPLATES

INT. _____

EXT. _____

DOOR HINGE

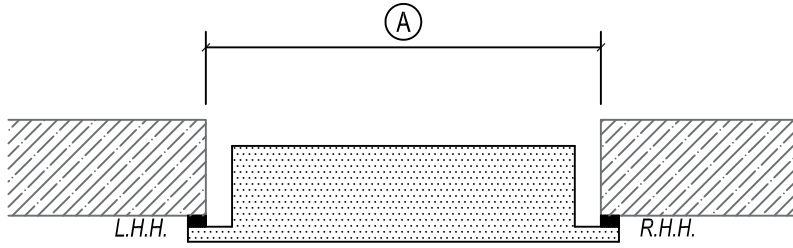
LEFT RIGHT

HEATED JAMB

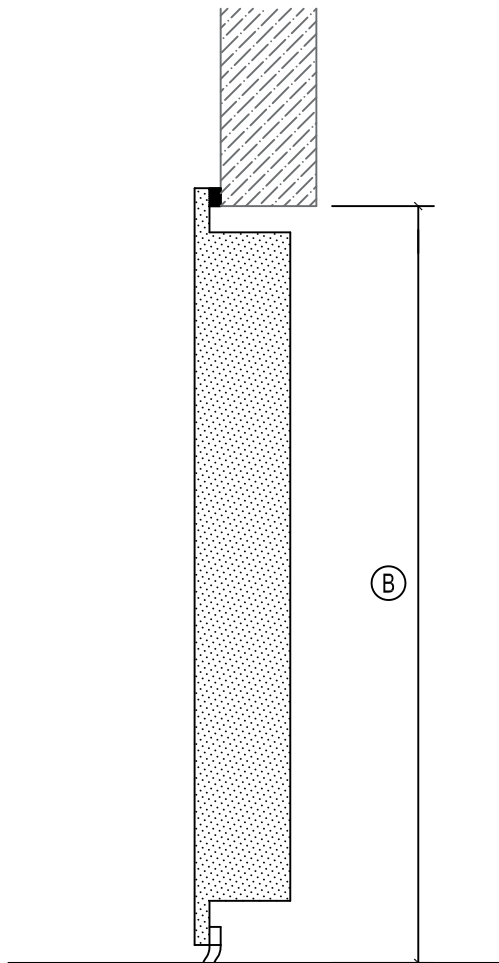
YES NO

(E) **BACK-UP FRAME - (OPTIONAL)**

YES NO



Ⓐ _____
FINISHED OPENING



Ⓑ _____
FINISHED OPENING

DOOR PANEL FINISH

INT. _____

EXT. _____

KICKPLATES

INT. _____

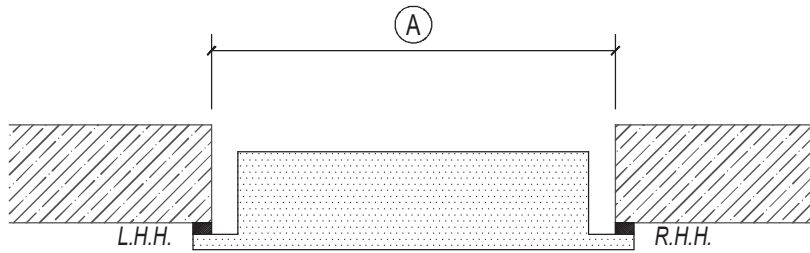
EXT. _____

DOOR HINGE

LEFT RIGHT

HEATED JAMB AND THRESHOLD

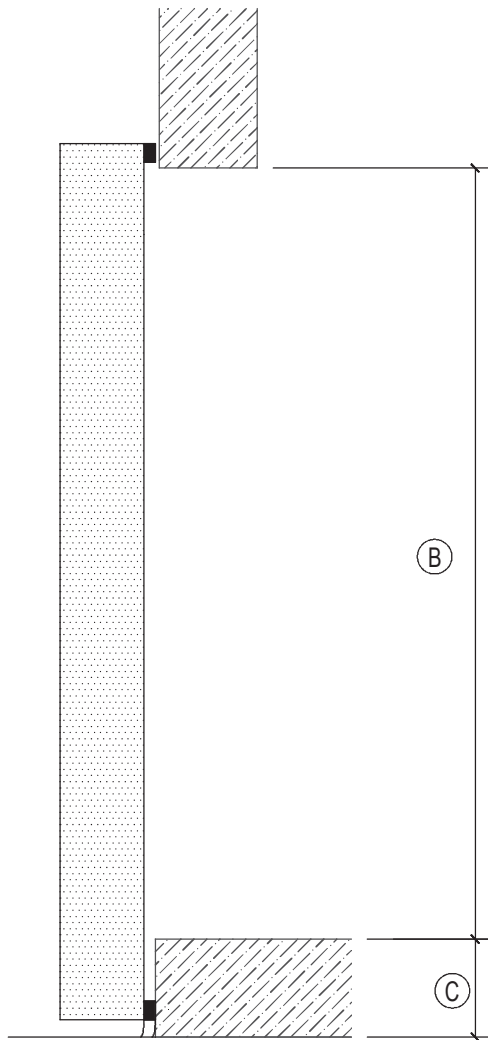
YES NO



Ⓐ _____
FINISHED OPENING

Ⓑ _____
FINISHED OPENING HEIGHT

Ⓒ _____
EXISTING FLOOR THICKNESS



DOOR PANEL FINISH

INT. _____

EXT. _____

KICKPLATES

INT. _____

EXT. _____

DOOR HINGE

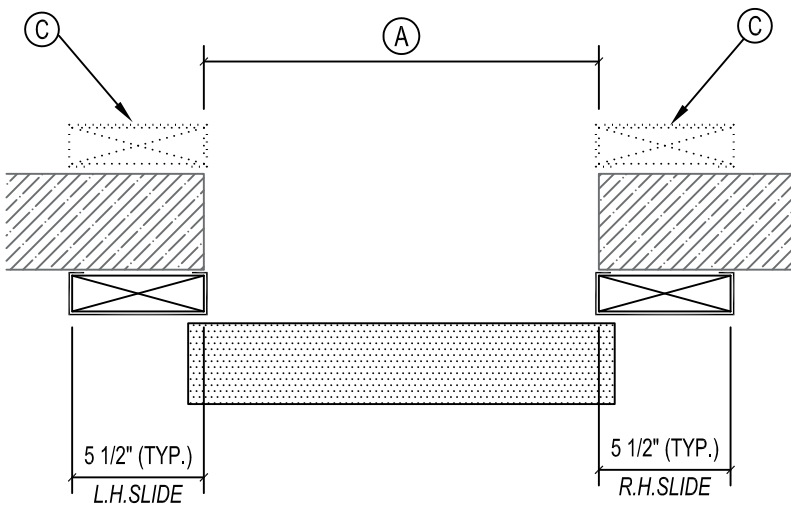
LEFT RIGHT

HEATED JAMB AND THRESHOLD

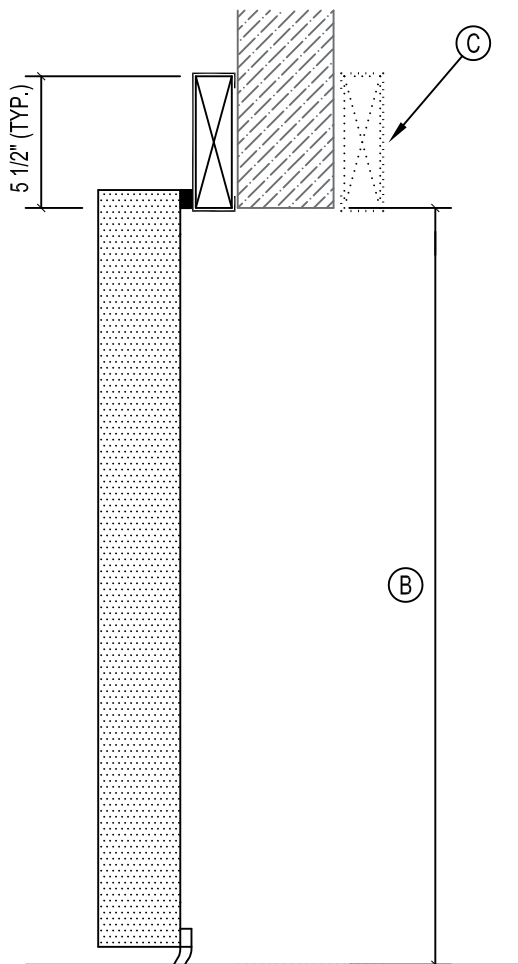
YES NO

RAMP- (OPTIONAL)

INT. EXT.



Ⓐ _____
FINISHED OPENING



Ⓑ _____
FINISHED OPENING

DOOR PANEL FINISH

INT. _____

EXT. _____

KICKPLATES

INT. _____

EXT. _____

DOOR SLIDE

LEFT RIGHT

HEATED JAMB AND THRESHOLD

YES NO

Ⓒ BACK UP FRAME (OPTIONAL)

YES NO



 CROWNTONKA  ICS  LOTEMP DOORS  PREPRITE  THERMALRITE

Proud to be family-owned.