



| |
|--|
| Project Name: _____ Location: _____ Item #: _____ Qty: _____ |
|--|

Model: TAD7 Ambient Dough Drawers



ThermalRite Ambient Dough Drawers, designed and manufactured with the highest quality materials, are an outstanding value. Seven ambient temperature drawers are designed to hold pizza dough, ingredients or utensils temporarily during the preparation period. Unit may be purchased separately or as part of one of our complete ThermalRite Prep Table units. This unit can be used for any prep table with an overall height of at least 34".

Standard Features

- Seven ambient temperature dough drawers
- AISI, 20 gauge, 304Grade Stainless Steel interior and exterior (except galvanized steel exterior bottom)
- Casters – front locking
- Telescopic drawer guides extend from the cabinet to support the drawer when open
- Holds seven 18" x 26" pans (not included)
- Meets the guideline demands of HAACP

Warranty

- 2-year Warranty on parts



Front locking casters, to keep unit in place.

TAD7

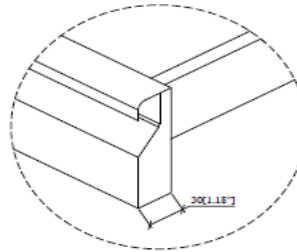
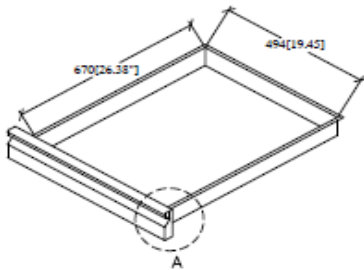
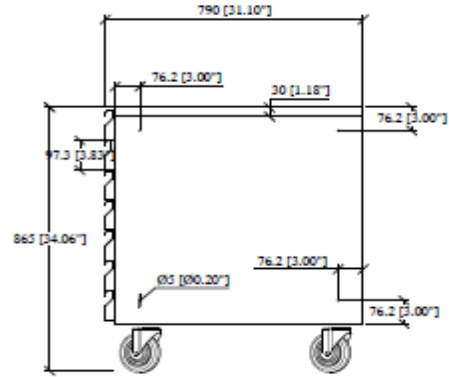
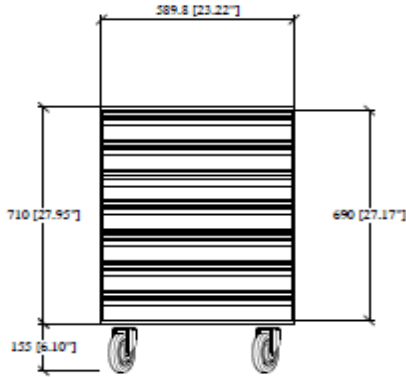
| |
|--|
| <p>Specifications for Dough Drawer Unit ThermalRite Dough Drawer Unit with seven ambient temperature dough drawers, can be purchased separately or as part of one of our complete Thermalrite Prep Tables.</p> <p>PAN CAPACITY (H x W x D) 34.06" x 23.22" x 31.1"</p> <p>Holds seven (7) 18" x 26" pans (Not Included)</p> |
|--|

| | |
|---|-------------------------|
|  | |
| Approval: NSF 2: 2015 | Date: 04/2018 |



| |
|--------------------------|
| Project Name: _____ |
| Location: _____ |
| Item #: _____ Qty: _____ |

Model: GAPZ Ambient Dough Drawers



Standard Features Design

ThermalRite Dough Drawer Unit, designed and manufactured with high quality materials, is an outstanding value in today’s foodservice marketplace. Ample pan capacity provides space to keep your pizza dough, ingredients or utensils temporarily during the preparation period.. Designed by professionals to include ergonomic features intended to increase the user’s productivity.

Cabinet Construction

Sturdy, 20-gauge AISI 304, grade stainless steel construction for durability and to resist scratches and dents. External bottom is galvanized steel.

Warranty

2-year warranty on parts

| TAD7 | DIMENSIONS | | | SHIPPING | | | |
|------|------------|-------|--------|------------|-----|-----|--------|
| | WIDTH | DEPTH | HEIGHT | DIMENSIONS | | | WEIGHT |
| | 23.22" | 31.1" | 34.06" | 27" | 35" | 38" | 238 |



Every Step of the Way

15600 37th Avenue N, Suite 100
 Plymouth, MN 55446
 1-800-328-3968