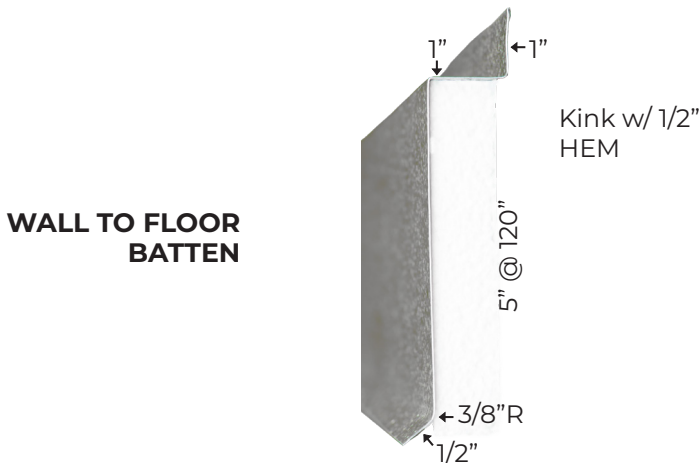
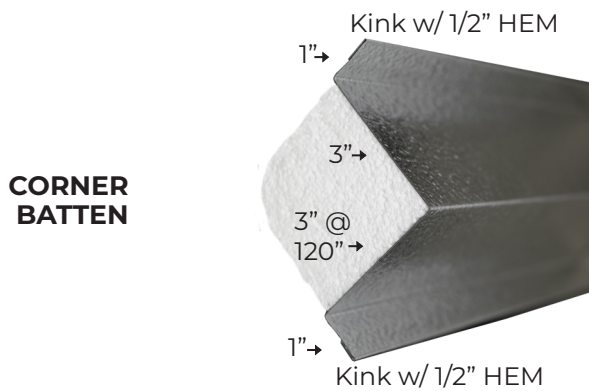
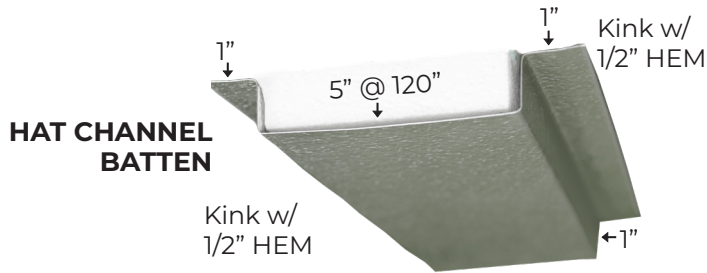


TYPE: Batten Strips



PRODUCT FEATURES

BATTEN CONFIGURATIONS

- Hat Channel Batten (Walls & Ceilings)
- Corner Batten
- Wall to Floor Batten
- Flat Stock

STANDARD METAL OPTIONS

- 26 GA Embossed Galvanized Grey or White

INSULATION

- Expanded Polystyrene (EPS)
- R-3.85 at 1" thick on Hat Channel & Wall to Floor Battens
- R-11.55 at 3" thick on Corner Batten

ACCESSORIES

- Butyl caulk for seams
- Butyl Tape (vapor barrier) over butyl caulk at seams
- Screws
- Silicone caulk for trim finishing

DETAILS

- All Battens are shipped at 10' lengths and field cut by others
- Battens can be ordered with or without accessories and/or additional trim
- Battens can be ordered to match any existing walk-in material (i.e. Stainless, Aluminum, etc). Specify the exact material with your Everidge Representative.

All specifications subject to change without notice.

OVERVIEW

Our Batten Strips offer an economical solution for sealing seams of coolers or freezers. Batten Strips are a great option for walk-ins experiencing ice build-up or condensation due to seam separation. The Batten Strip installation process offers vapor barrier and insulation properties at all seams.

The down time to install Batten Strips is significantly shorter than the construction of a new walk-in which saves both time and money while extending the look and life of a walk-in.